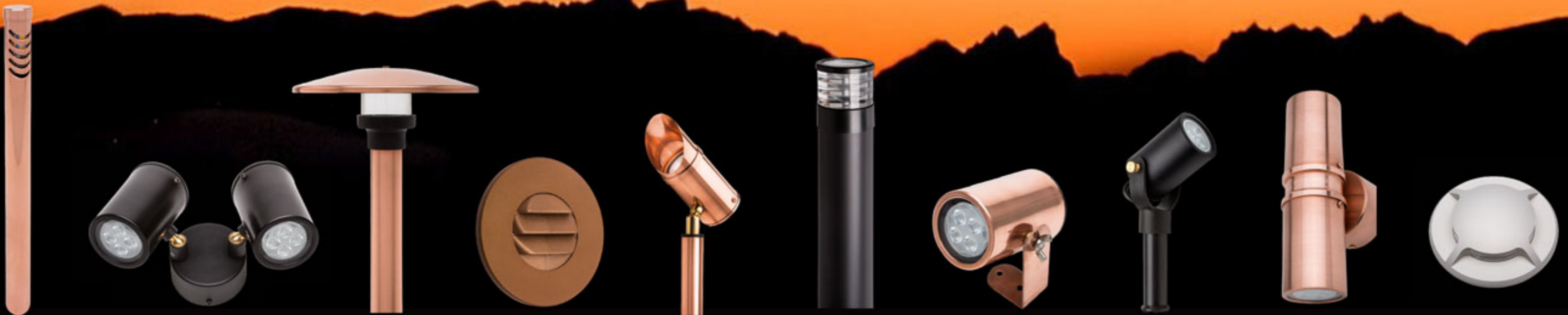


# moonscape™

Outdoor Lights NZ

*Magic in your garden*



**10 YEARS**  
WARRANTY



# moonscape lighting

Your home, your sanctuary, now extends outdoors with MOONSCAPE<sup>®</sup>. Create a magical ambience where you can relax or entertain in the evenings under the stars with this exceptional lighting range.

Choose the mood and feeling you want to create and MOONSCAPE<sup>®</sup> exterior luminaries can make it happen.

Magical, elegant, informal or minimalist - MOONSCAPE<sup>®</sup> architectural simplicity in a wide range of finishes allows for any kind of creative lighting expression at home - or in a commercial setting.


Heavy rainfall, corrosive sea air, extreme temperature ranges - MOONSCAPE<sup>®</sup> has been purpose-designed and manufactured in New Zealand to withstand the harsher elements of New Zealand and Australia climatic conditions. The materials are of a high grade nature. 99.9% Aluminium Marine Grade anodised. 99% Copper, brass - glass filled, flame retardant, UV stabilised plastic components. All fastenings are stainless steel.

MOONSCAPE<sup>®</sup> creates a whole new outdoor environment

**10 YEARS**  
WARRANTY

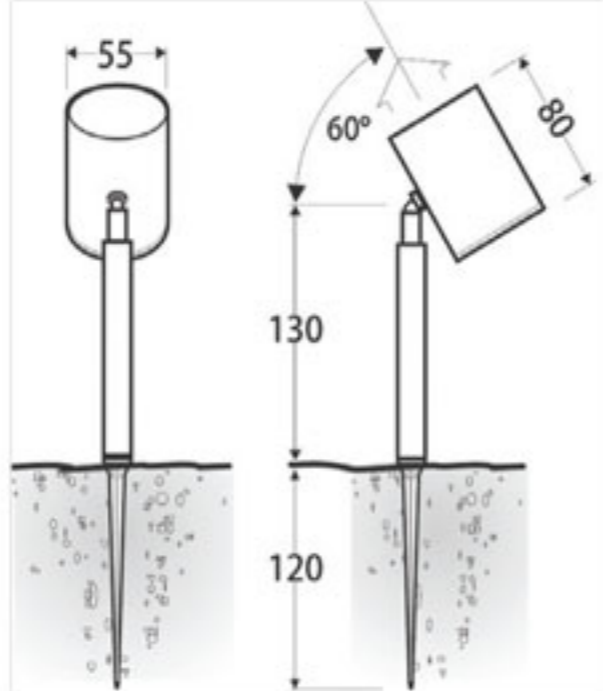
## contents

<b>Garden lights</b>	<b>02</b>
Includes Spot, Uplights, Eco, Spread, Path and Bollards	
<b>Step &amp; Inground lights</b>	<b>03</b>
Includes Step, Uplights, Skim, Mini step, Lawn and Under Water lights	
<b>Wall lights</b>	<b>08</b>
Includes Surface and Recessed lights	
<b>Accessories</b>	<b>11</b>
Includes Glare Shields, Cans, Filters, LED lamps, Cables, Transformers, Ground Spikes, Flanges	



## Spotlight

adjustable with ground spike



**RANGE**

Raw Copper  
**SPLA-GS100-CO**  
**SPLA-GS300-CO**  
**SPLA-GS600-CO**

Natural Anodised  
**SPLA-GS100-SN**  
**SPLA-GS300-SN**  
**SPLA-GS600-SN**

Black Anodised  
**SPLA-GS100-BK**  
**SPLA-GS300-BK**  
**SPLA-GS600-BK**

**SPECIFICATIONS**


- Spun raw Copper
- Spun raw Aluminium Marine anodised to 25 microns (um)
- IP Rating - IPX6

**LAMPS**

- 12V LED MR16 3 - 10W

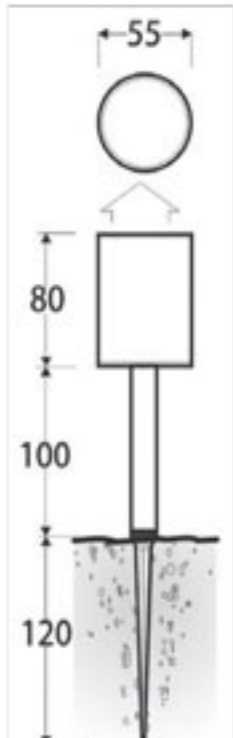
**OPTIONS**

- Remote transformer 12 Volt



## Uplight Fixed

with ground spike



**RANGE**

Raw Copper  
**UL-FXGS-CO**

Natural Anodised  
**UL-FXGS-SN**

Black Anodised  
**UL-FXGS-BK**

**SPECIFICATIONS**


- Spun raw Copper
- Spun raw Aluminium Marine anodised to 25 microns (um)
- IP Rating - IPX6

**LAMPS**

- 12V LED MR16 3 - 10W

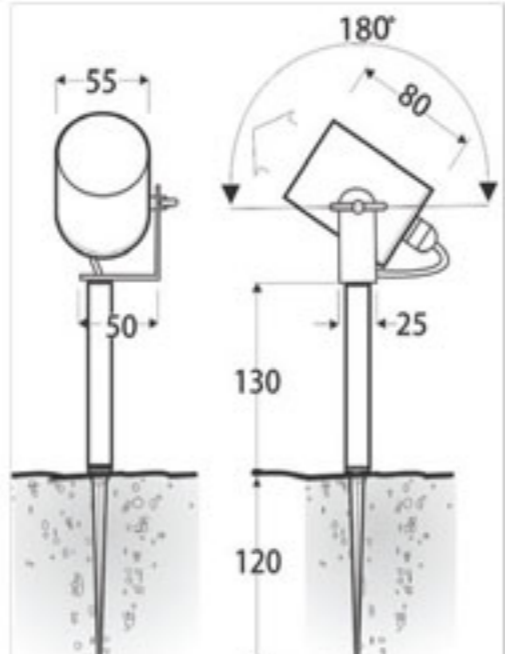
**OPTIONS**

- Remote transformer 12 Volt



## Eco

adjustable with ground spike



**RANGE**

Black Anodised  
**ECOSPOT-BK**

**SPECIFICATIONS**

- Spun raw Copper
- Spun raw Aluminium Marine anodised to 25 microns (um)
- IP Rating - IPX6

**LAMPS**

- 12V LED MR16 3 - 10W

**OPTIONS**

- Remote transformer 12 Volt



## Spotlight Twin

adjustable with ground spike



**RANGE**

Raw Copper  
**SPLTA-GS600-CO**

Natural Anodised  
**SPLTA-GS600-SN**

Black Anodised  
**SPLTA-GS600-BK**

**SPECIFICATIONS**

- Spun raw Copper
- Spun raw Aluminium Marine anodised to 25 microns (um)
- IP Rating - IPX6

**LAMPS**

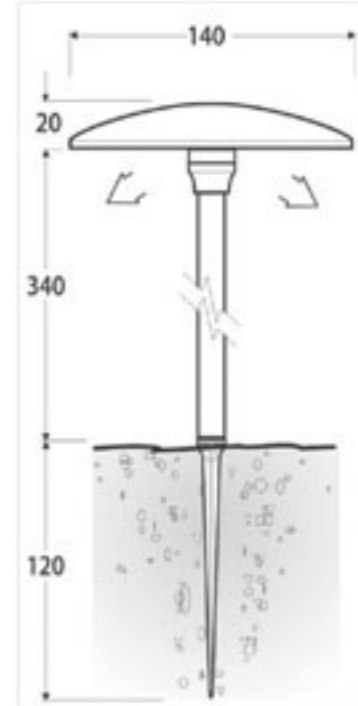
- 12V LED MR16 3 - 10W

**OPTIONS**

- Remote transformer 12 Volt



## Spread Light with ground spike



### RANGE

Raw Copper  
**SPRL-CO**

Natural Anodised  
**SPRL-SN**

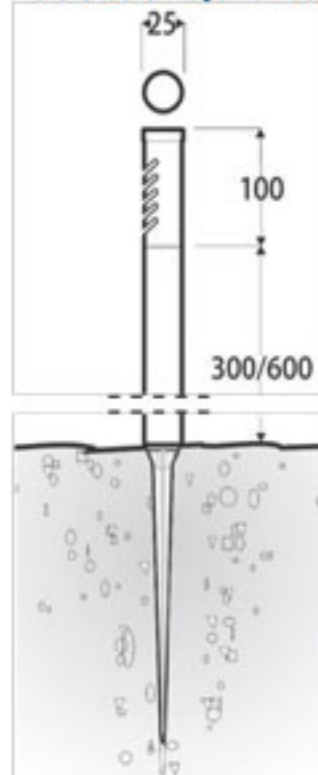
Black Anodised  
**SPRL-BK**

### SPECIFICATIONS

- Spun raw Copper
  - Spun raw Aluminium Marine anodised to 25 microns (um)
  - IP Rating - IPX6
- LAMPS**
- 12V LED G4 Capsule 1 - 3W
- OPTIONS**
- Remote transformer 12 Volt



## Path Light with ground spike



### RANGE

Raw Copper  
**PATHL-400-CO**  
**PATHL-700-CO**

Natural Anodised  
**PATHL-400-SN**  
**PATHL-700-SN**

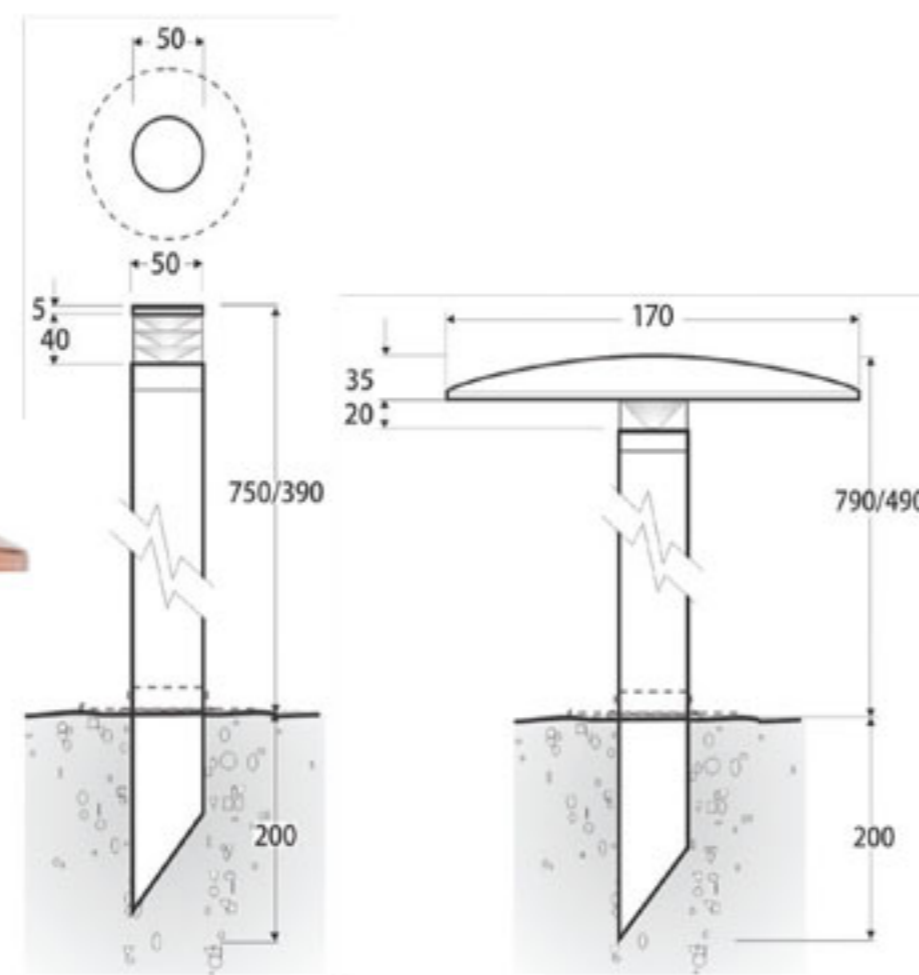
Black Anodised  
**PATHL-400-BK**  
**PATHL-700-BK**

### SPECIFICATIONS

- Spun raw Copper
  - Spun raw Aluminium Marine anodised to 25 microns (um)
  - IP Rating - IPX6
- LAMPS**
- 12V LED G4 Capsule 1 - 3W
- OPTIONS**
- Remote transformer 12 Volt



## Bollard round 390 / 750mm



### RANGE

Raw Copper  
**BL-390-CO**  
**BL-750-CO**

**BLSL-170-CO\***

Natural Anodised  
**BL-390-SN**  
**BL-750-SN**

**BLSL-170-SN\***

Black Anodised  
**BL-390-BK**  
**BL-750-BK**

**BLSL-170-BK\***

### SPECIFICATIONS

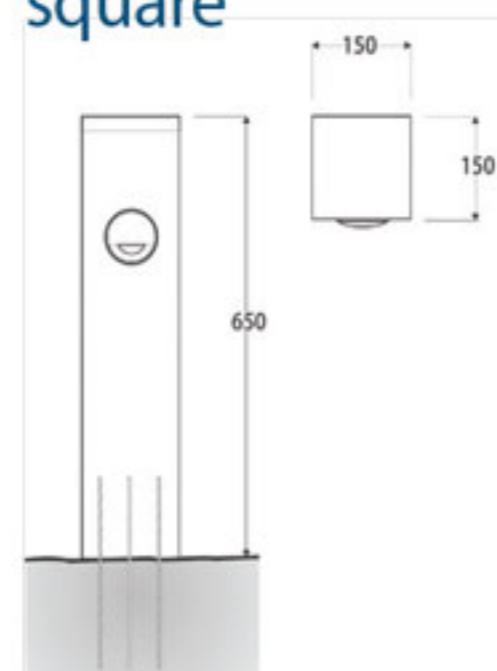
- Spun raw Copper
  - Spun raw Aluminium Marine anodised to 25 microns (um)
  - IP Rating - IPX6
- LAMPS**
- 12V LED MR16 5W
- OPTIONS**
- Remote transformer 12 Volt

### NOTE \*

- **BLSL-170-CO/SN/BK** is Round Bollard including Top Hat



## Bollard square



### RANGE

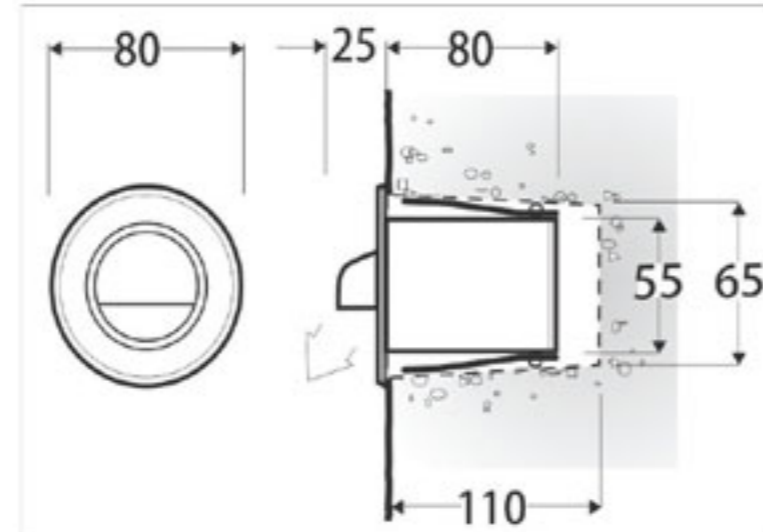
Square Solid Timber  
**BL-SST-650**

### SPECIFICATIONS

- Spun raw Copper
  - IP Rating - IPX6
- LAMPS**
- 12V LED MR16 3 - 10W
- OPTIONS**
- Remote transformer 12 Volt



**Step Light eyelid**  
recessed



**RANGE**

Raw Copper  
**STPL-SB-CO**



Natural Anodised  
**STPL-SB-SN**



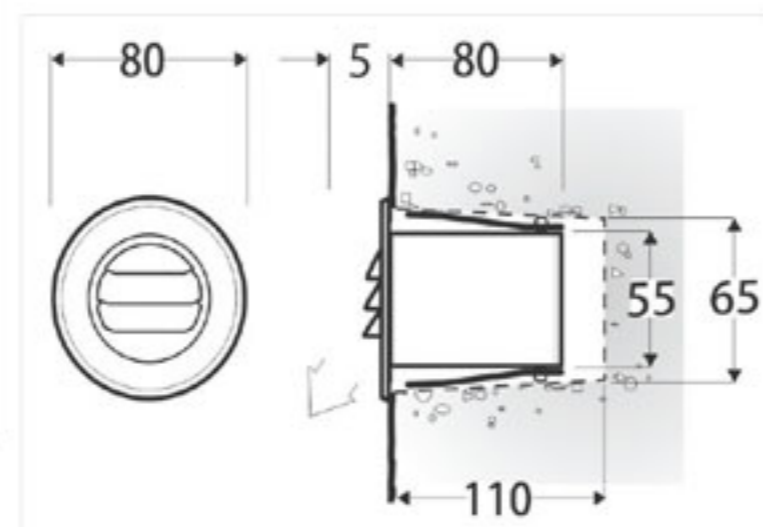
Black Anodised  
**STPL-SB-BK**

**SPECIFICATIONS**

- Spun raw Copper
- Spun raw Aluminium Marine anodised to 25 microns (um)
- IP Rating - IPX7
- LAMPS**
- 12V LED MR16 3 - 10W
- OPTIONS**
- Remote transformer 12 Volt



**Step Light louver**  
recessed



**RANGE**

Raw Copper  
**STPL-LV-CO**



Natural Anodised  
**STPL-LV-SN**



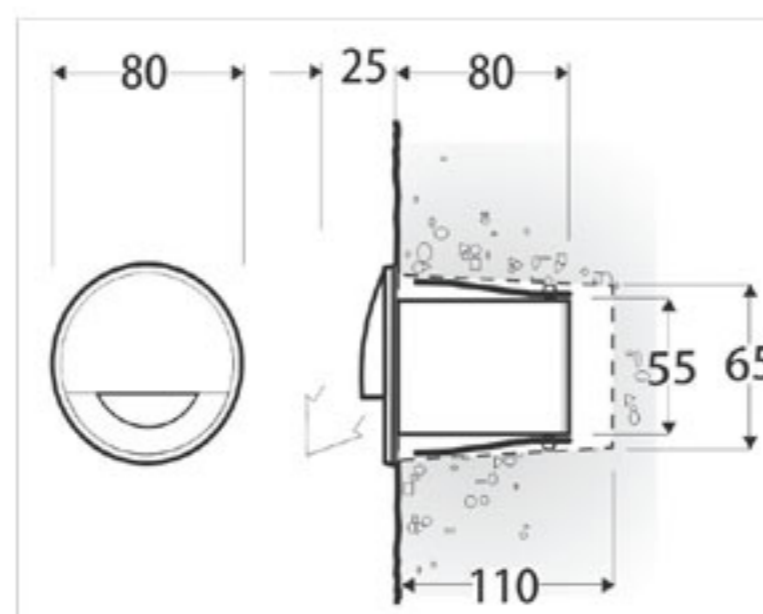
Black Anodised  
**STPL-LV-BK**

**SPECIFICATIONS**

- Spun raw Copper
- Spun raw Aluminium Marine anodised to 25 microns (um)
- IP Rating - IPX7
- LAMPS**
- 12V LED MR16 3 - 10W
- OPTIONS**
- Remote transformer 12 Volt



**Step Light machined**  
recessed



**RANGE**

Copper  
**STPL-MB-CO**



Bronze finish  
**STPL-MB-BR**



Natural Anodised  
**STPL-MB-SN**



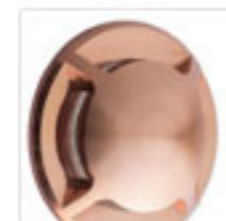
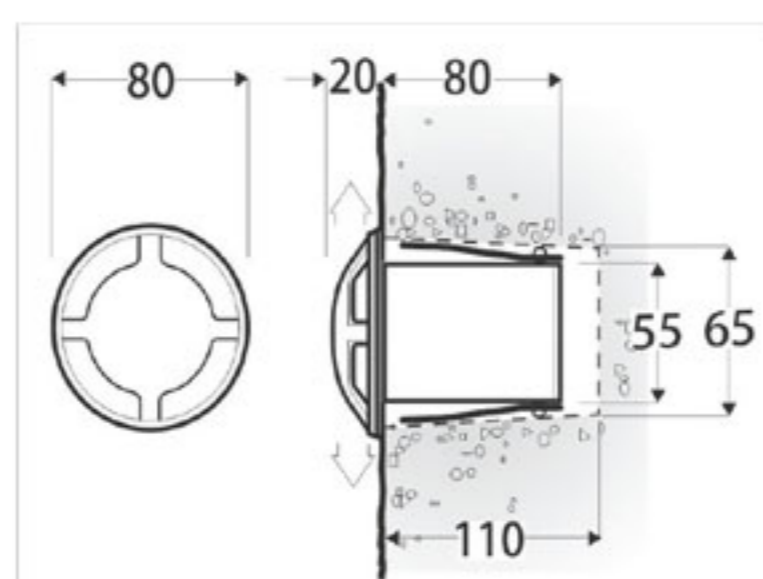
Black Anodised  
**STPL-MB-BK**

**SPECIFICATIONS**

- Machined Bezel
- Spun raw Copper bodies
- Spun raw Aluminium bodies Marine anodised to 25 microns (um)
- IP Rating - IPX7
- LAMPS**
- 12V LED MR16 3 - 10W
- OPTIONS**
- Remote transformer 12 Volt



**Skim Light machined**  
recessed



**RANGE**

Copper  
**SKL-MB-CO**



Bronze finish  
**SKL-MB-BR**



Natural Anodised  
**SKL-MB-SN**



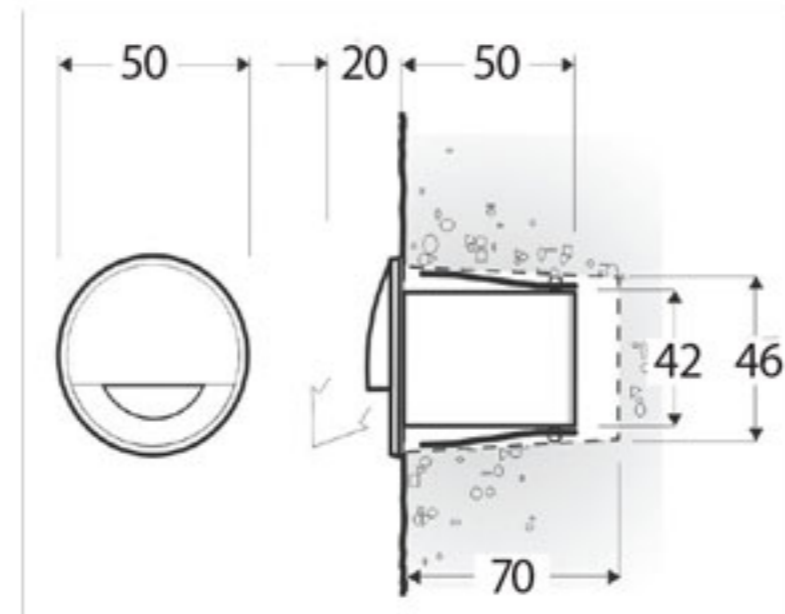
Black Anodised  
**SKL-MB-BK**

**SPECIFICATIONS**

- Machined Bezel
- Spun raw Copper bodies
- Spun raw Aluminium bodies Marine anodised to 25 microns (um)
- IP Rating - IPX7
- LAMPS**
- 12V LED MR16 3 - 10W
- OPTIONS**
- Remote transformer 12 Volt



**Mini Step Light**  
recessed



**RANGE**

Bronze finish  
**MSTL-MB-BR**



Natural Anodised  
**MSTL-MB-SN**



Black Anodised  
**MSTL-MB-BK**

**SPECIFICATIONS**

- CNC machined Bezel
- Spun raw Copper bodies
- Spun raw Aluminium bodies Marine anodised to 25 microns (um)
- IP Rating - IPX6

**LAMPS**

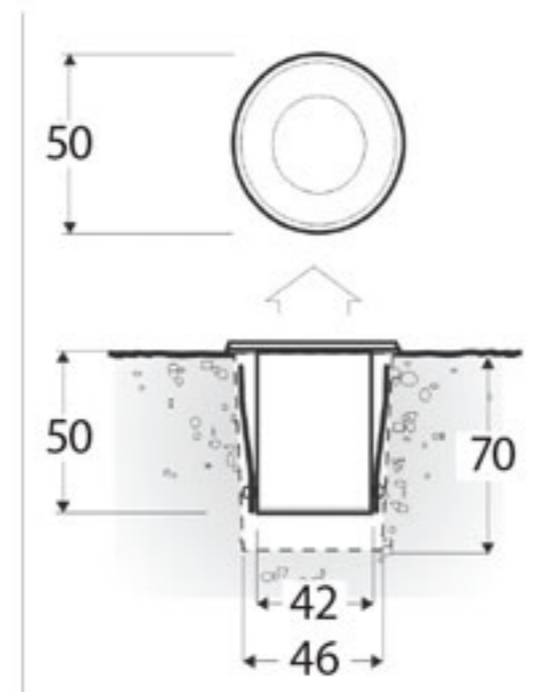
- 12V LED MR11 3W

**OPTIONS**

- Remote transformer 12 Volt



**Mini Up Light**  
Inground



**RANGE**

Bronze finish  
**MIGUL-MB-BR**



Natural Anodised  
**MIGUL-MB-SN**



Black Anodised  
**MIGUL-MB-BK**

**SPECIFICATIONS**

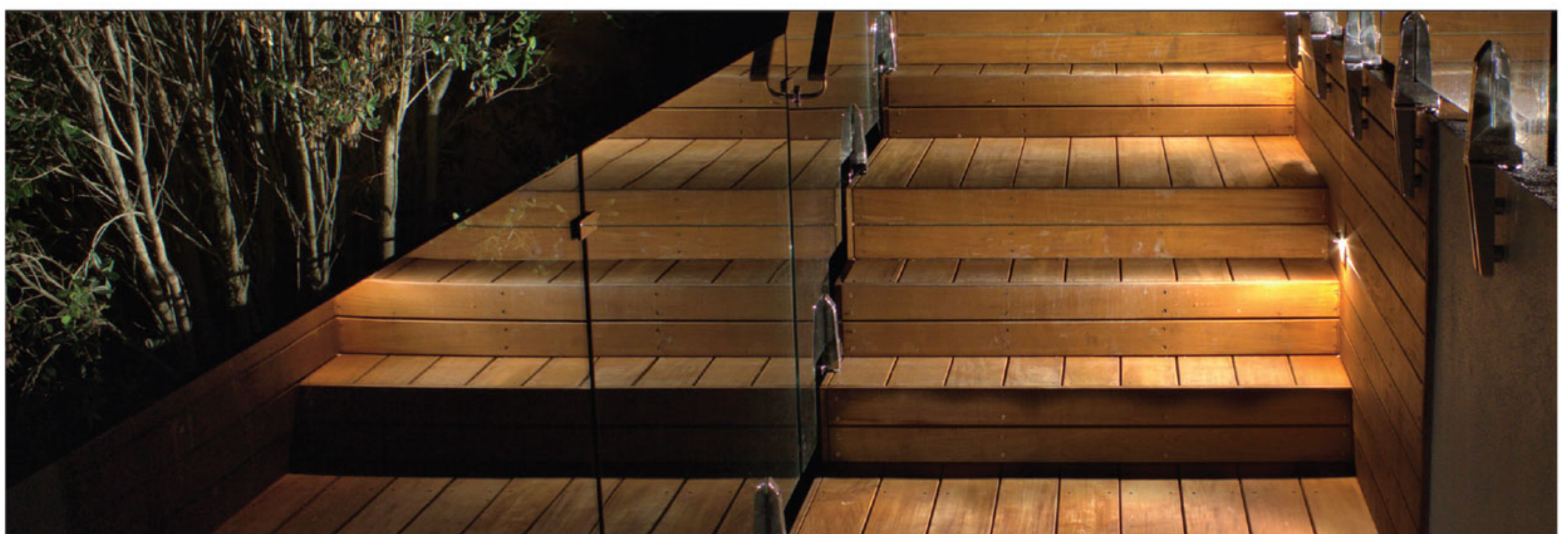
- CNC machined Bezel
- Spun raw Copper bodies
- Spun raw Aluminium bodies Marine anodised to 25 microns (um)
- IP Rating - IPX6

**LAMPS**

- 12V LED MR11 3W

**OPTIONS**

- Remote transformer 12 Volt

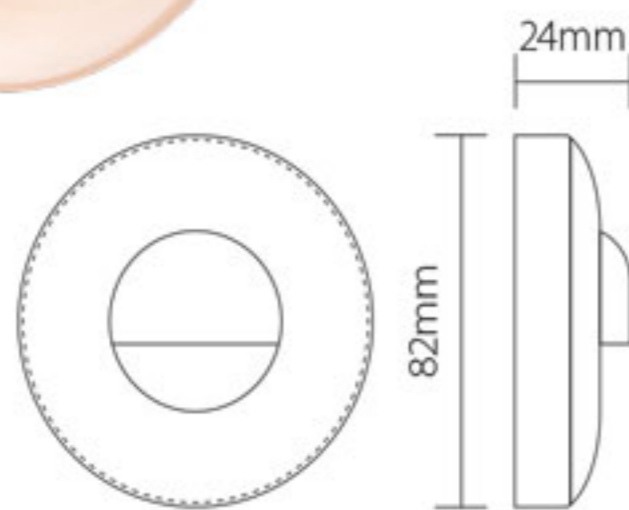


**NOTE: AVAILABLE WITH OR WITHOUT LAMPS**

These new designed surface mounted step lights cast a low even, glare free light over steps and paths. They provide easy installations without the need to drill large holes to recess the lights. They also have the added advantage that the lights run on both 12 V AC and 12 V DC.

## Step Light eyelid

Surface mounted

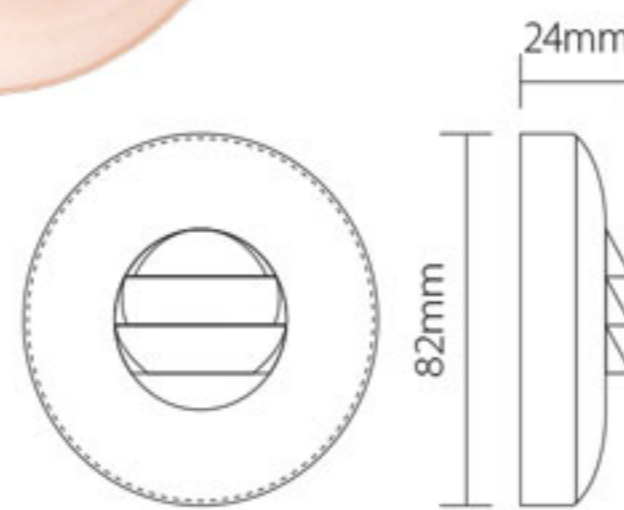


### RANGE

-  Raw Copper  
**SMSTP-SB-CO**
-  Natural Anodised  
**SMSTP-SB-SN**
-  Black Anodised  
**SMSTP-SB-BK**

## Step Light louver

Surface mounted

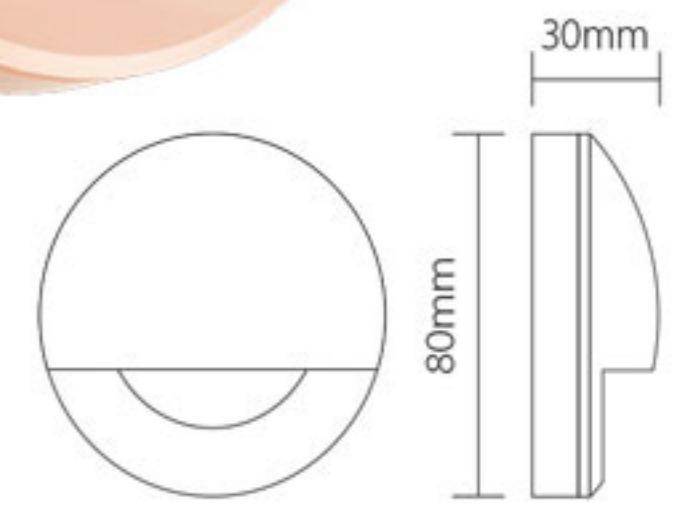


### RANGE

-  Raw Copper  
**SMSTP-SB-LV-CO**
-  Natural Anodised  
**SMSTP-SB-LV-SN**
-  Black Anodised  
**SMSTP-SB-LV-BK**

## Step Light machined

Surface mounted



### RANGE

-  Copper  
**SMSTP-MB-CO**
-  Bronze finish  
**SMSTP-MB-BR**
-  Natural Anodised  
**SMSTP-MB-SN**
-  Black Anodised  
**SMSTP-MB-BK**

## SPECIFICATIONS

<b>Watts</b>	2.5
<b>Lumens</b>	180 LM
<b>Diode</b>	Samsung
<b>Colour temp</b>	Warm White 2700 K minimum 3000 K maximum
<b>Beam Angle</b>	90°
<b>Lifespan</b>	18,000 *the lifespan of the lamp is defined by average six working hours daily (seven days per week)

<b>IP Rating</b>	IPX6
<b>CRI</b>	80
<b>Input</b>	12 V AC/DC
<b>Diameter</b>	80 mm
<b>Height</b>	Spun Bezels 24 mm Machined Bezels 30 mm
<b>Material</b>	BODY Marine Grade Anodised Aluminium

<b>Material</b>	BEZELS Spun Raw Copper or Aluminium Marine Grade Anodised
<b>Classification</b>	IC
<b>Warranty</b>	5 years (excluding the lamp)

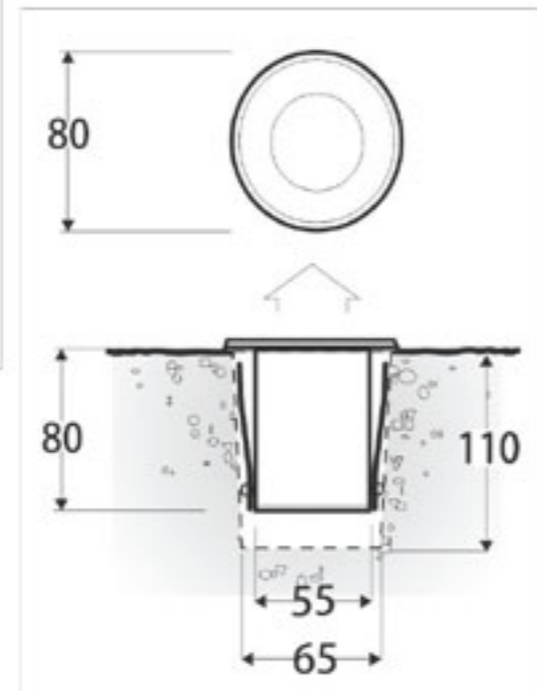
Design App NZ 424877

NOTE: AVAILABLE WITH OR WITHOUT LAMPS





## Up Light spun inground



**RANGE**  
Raw Copper  
**ULIG-SB-CO**



Natural Anodised  
**ULIG-SB-SN**



Black Anodised  
**ULIG-SB-BK**

### SPECIFICATIONS

- Spun raw Copper bodies
- Spun raw Aluminium bodies Marine anodised to 25 microns (um)
- IP Rating - IPX7

### LAMPS

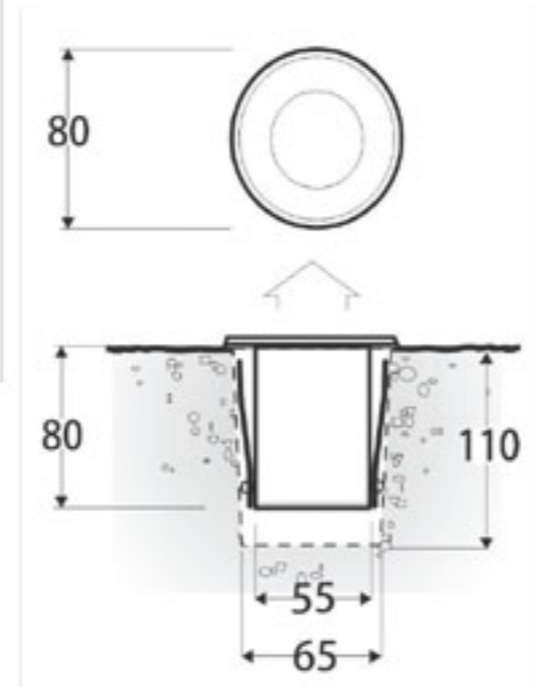
- 12V LED MR16 3 - 10W

### OPTIONS

- Remote transformer 12 Volt



## Up Light machined inground



**RANGE**  
Bronze finish  
**ULIG-MB-BR**



Raw Copper  
**ULIG-MB-CO**



Natural Anodised  
**ULIG-MB-SN**



Black Anodised  
**ULIG-MB-BK**

### SPECIFICATIONS

- Machined Bezel
- Spun raw Copper bodies
- Spun raw Aluminium bodies Marine anodised to 25 microns (um)
- IP Rating - IPX7

### LAMPS

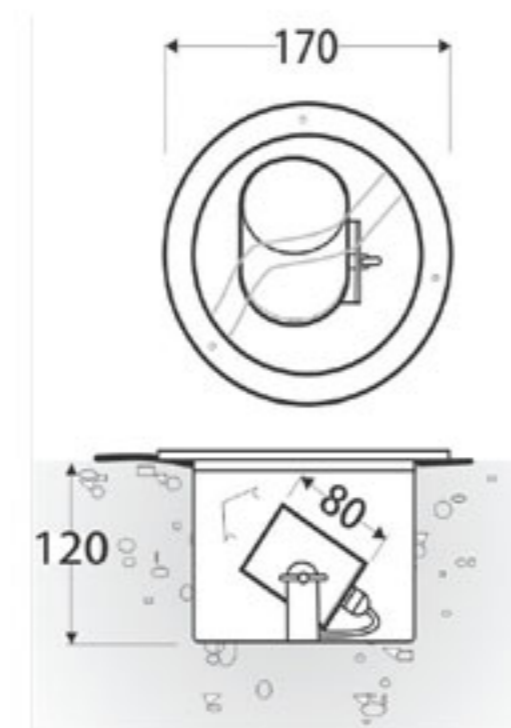
- 12V LED MR16 3 - 10W

### OPTIONS

- Remote transformer 12 Volt



## Lawn Light inground



### RANGE

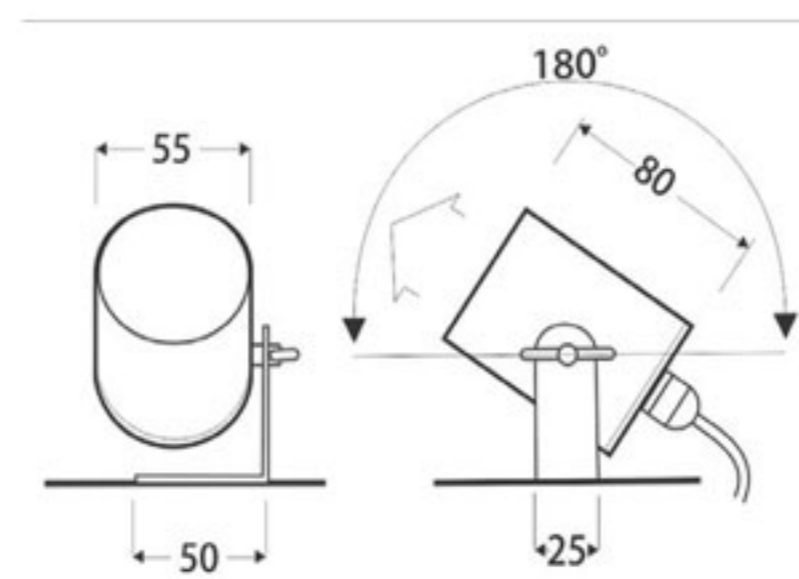
Raw Copper  
**LLIG-CO**

### SPECIFICATIONS

- Spun raw Copper
  - IP Rating - IPX7
- LAMPS**
- 12V LED MR16 5 - 7W
- OPTIONS**
- Remote transformer 12 Volt



## Underwater Light surface mount



### RANGE

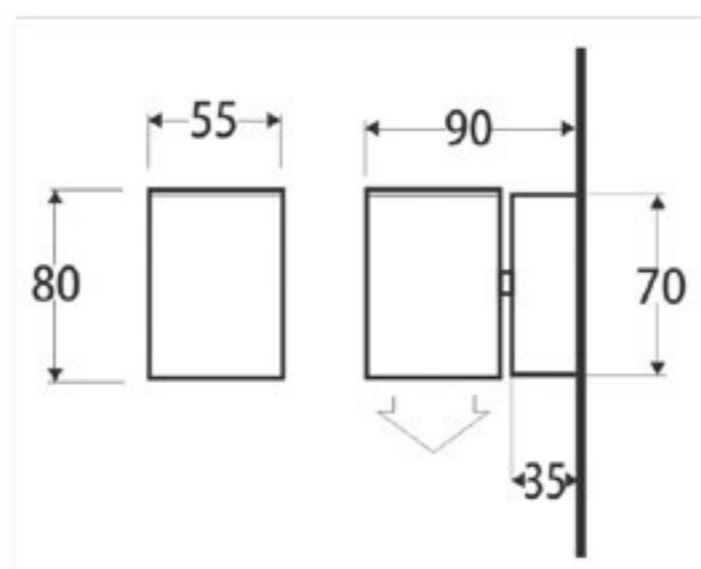
Raw copper  
**UWL-SM-CO**

### SPECIFICATIONS

- Spun raw Copper
  - IP Rating - IPX7
- LAMPS**
- 12V LED MR16 5 - 7W
- OPTIONS**
- Remote transformer 12 Volt



**Spot Light**  
surface mounted fixed



**RANGE**  
Raw Copper  
**SMSL-FX-CO**



Natural Anodised  
**SMSL-FX-SN**



Black Anodised  
**SMSL-FX-BK**

**SPECIFICATIONS**

- Spun raw Copper
- Spun raw Aluminium Marine anodised to 25 microns (um)
- IP Rating - IPX6

**LAMPS**

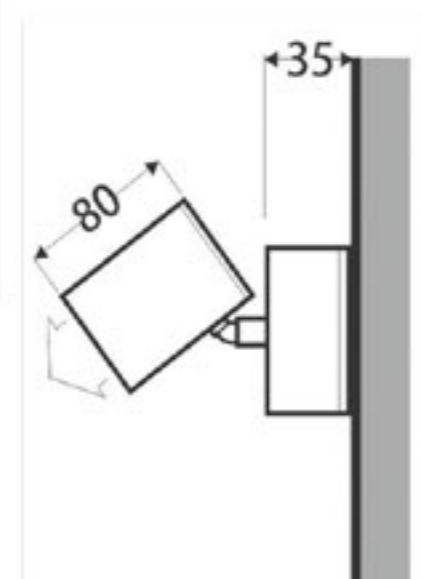
- 12V LED MR16 3 - 10W

**OPTIONS**

- Integral transformer 12 Volt
- Remote transformer 12 Volt



**Spot Light**  
surface mounted adjustable



**RANGE**  
Raw Copper  
**SMSL-A-CO**



Natural Anodised  
**SMSL-A-SN**



Black Anodised  
**SMSL-A-BK**

**SPECIFICATIONS**

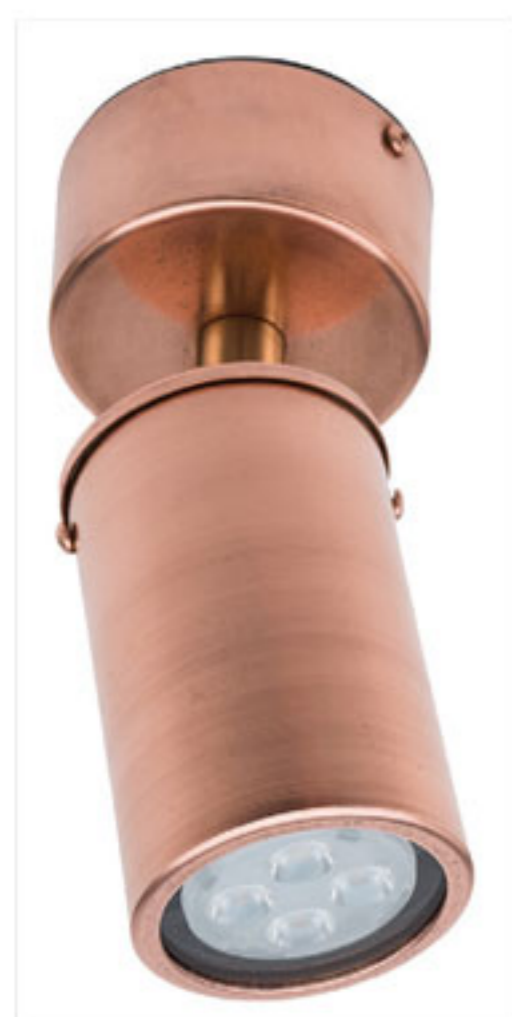
- Spun raw Copper
- Spun raw Aluminium Marine anodised to 25 microns (um)
- IP Rating - IPX6

**LAMPS**

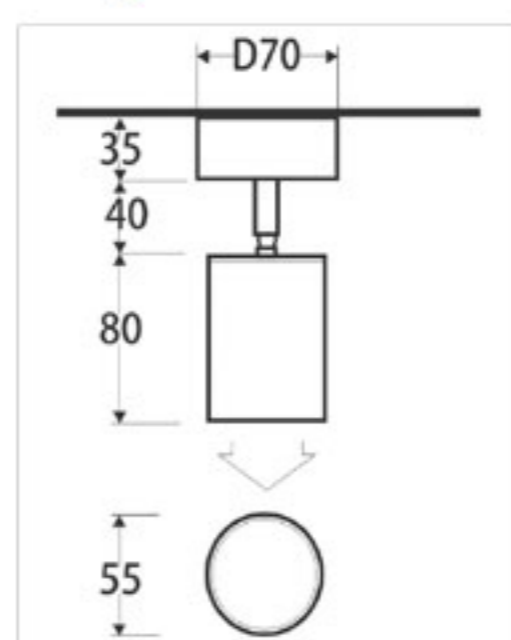
- 12V LED MR16 3 - 10W

**OPTIONS**

- Integral transformer 12 Volt
- Remote transformer 12 Volt



**Spot Light**  
surface endmounted adjustable



**RANGE**  
Raw Copper  
**SMSL-EM-A-CO**



Natural Anodised  
**SMSL-EM-A-SN**



Black Anodised  
**SMSL-EM-A-BK**

**SPECIFICATIONS**

- Spun raw Copper
- Spun raw Aluminium Marine anodised to 25 microns (um)
- IP Rating - IPX6

**LAMPS**

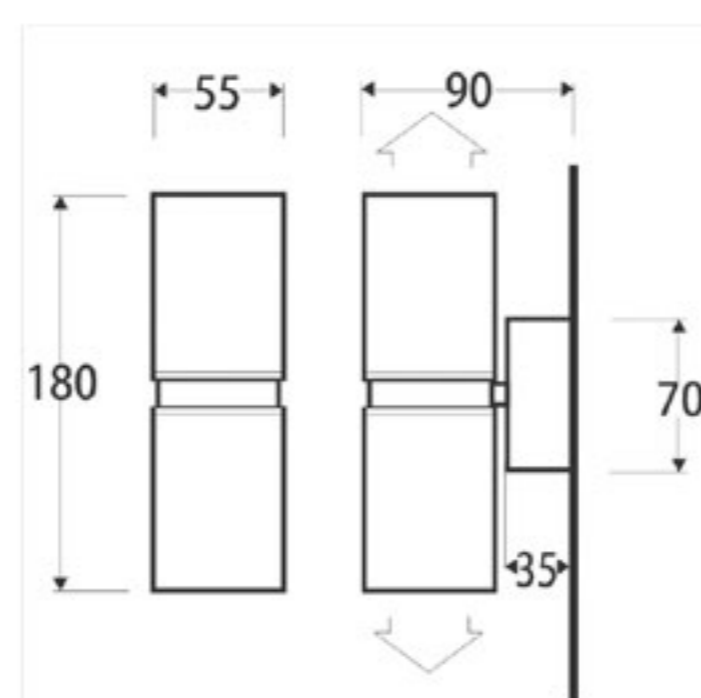
- 12V LED MR16 3 - 10W

**OPTIONS**

- Integral transformer 12 Volt
- Remote transformer 12 Volt



**Up/Down Light**  
surface mounted



**RANGE**  
Raw Copper  
**SMUD-CO**



Natural Anodised  
**SMUD-SN**



Black Anodised  
**SMUD-BK**

**SPECIFICATIONS**

- Spun raw Copper
- Spun raw Aluminium Marine anodised to 25 microns (um)
- IP Rating - IPX6

**LAMPS**

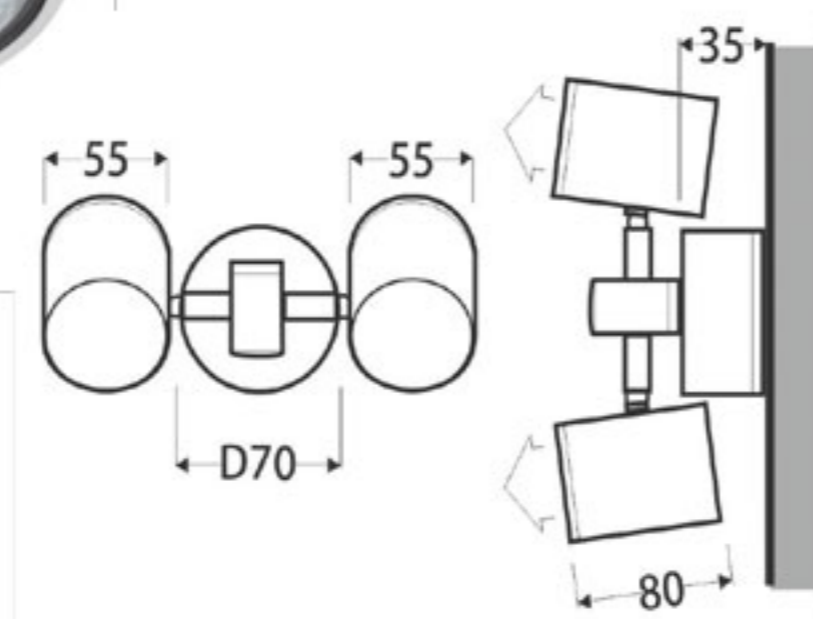
- 12V LED MR16 3 - 10W

**OPTIONS**

- Integral transformer 12 Volt
- Remote transformer 12 Volt



**Twin Spot Light**  
surface mounted



**RANGE**



Raw Copper  
**SMTSL-A-CO**



Natural Anodised  
**SMTSL-A-SN**



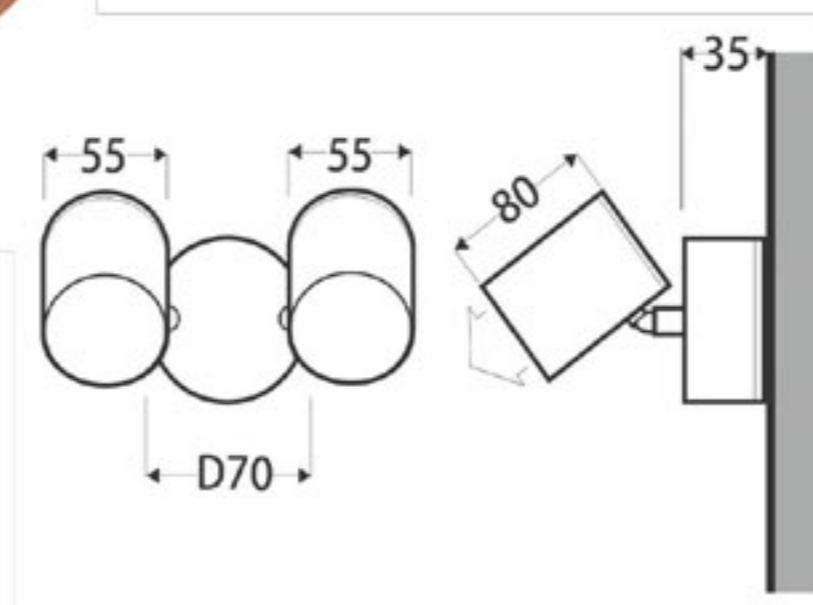
Black Anodised  
**SMTSL-A-BK**

**SPECIFICATIONS**

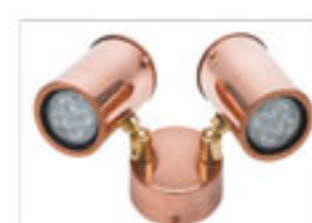
- Spun raw Copper
  - Spun raw Aluminium Marine anodised to 25 microns (um)
  - IP Rating - IPX6
- LAMPS**
- 12V LED MR16 3 - 10W
- OPTIONS**
- Integral transformer 12 Volt
  - Remote transformer 12 Volt



**Double Spot Light**  
surface mounted adjustable



**RANGE**



Raw Copper  
**SMSL-AD-CO**



Natural Anodised  
**SMSL-AD-SN**



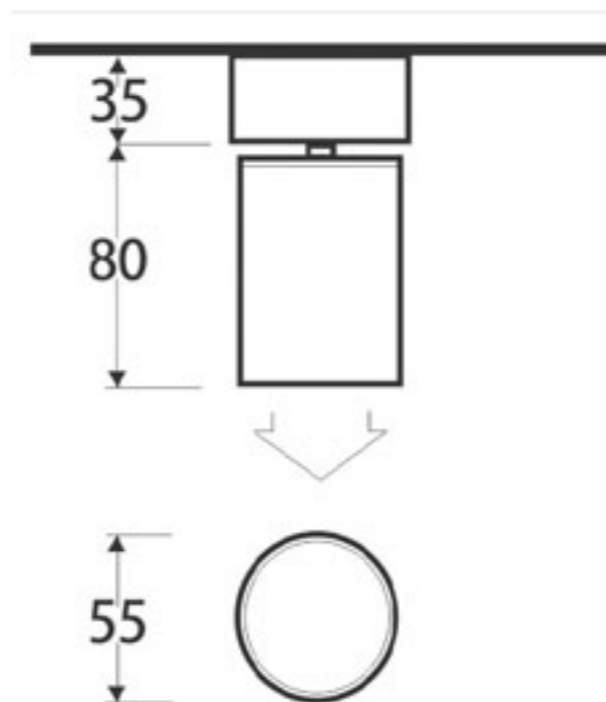
Black Anodised  
**SMSL-AD-BK**

**SPECIFICATIONS**

- Spun raw Copper
  - Spun raw Aluminium Marine anodised to 25 microns (um)
  - IP Rating - IPX6
- LAMPS**
- 12V LED MR16 3 - 10W
- OPTIONS**
- Integral transformer 12 Volt
  - Remote transformer 12 Volt



**Spot Light**  
surface endmounted fixed



**RANGE**



Raw Copper  
**SMSL-EM-FX-CO**



Natural Anodised  
**SMSL-EM-FX-SN**



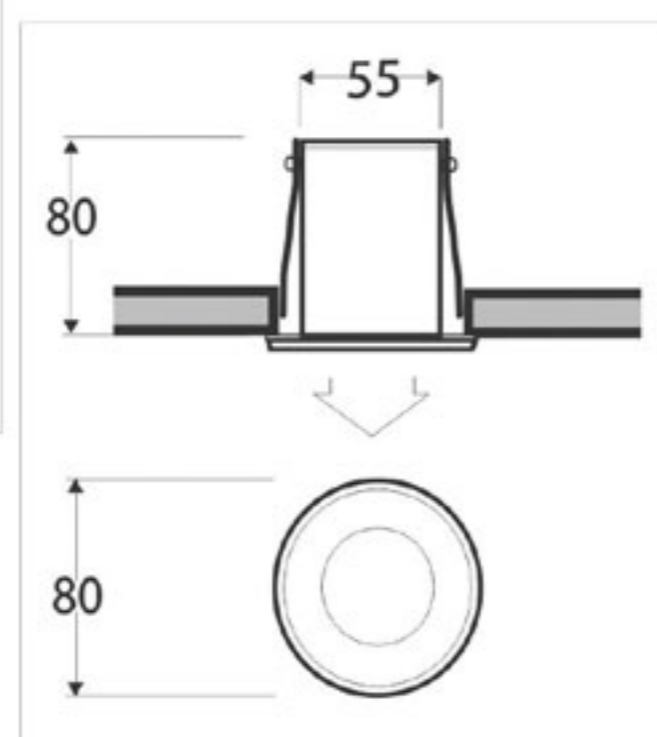
Black Anodised  
**SMSL-EM-FX-BK**

**SPECIFICATIONS**

- Spun raw Copper
  - Spun raw Aluminium Marine anodised to 25 microns (um)
  - IP Rating - IPX6
- LAMPS**
- 12V LED MR16 3 - 10W
- OPTIONS**
- Integral transformer 12 Volt
  - Remote transformer 12 Volt



**Down Light**  
recessed



**RANGE**



Bronze finish  
**DL-RMB-BR**



Natural Anodised  
**DL-RMB-SN**



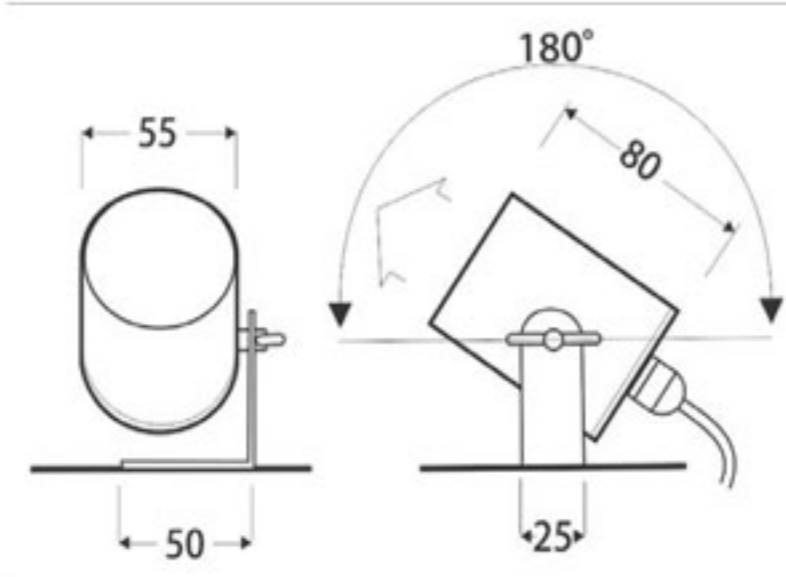
Black Anodised  
**DL-RMB-BK**

**SPECIFICATIONS**

- CNC machined Bezel
  - Spun raw Copper bodies
  - Spun raw Aluminium bodies Marine anodised to 25 microns (um)
  - IP Rating - IPX6
- LAMPS**
- 12V LED MR11 3W
- OPTIONS**
- Remote transformer 12 Volt

## Wall Light

Adjustable  
wall-mounted



### RANGE



Raw Copper  
**ECOWALL-CO**



Natural Anodised  
**ECOWALL-SN**



Black Anodised  
**ECOWALL-BK**

### SPECIFICATIONS

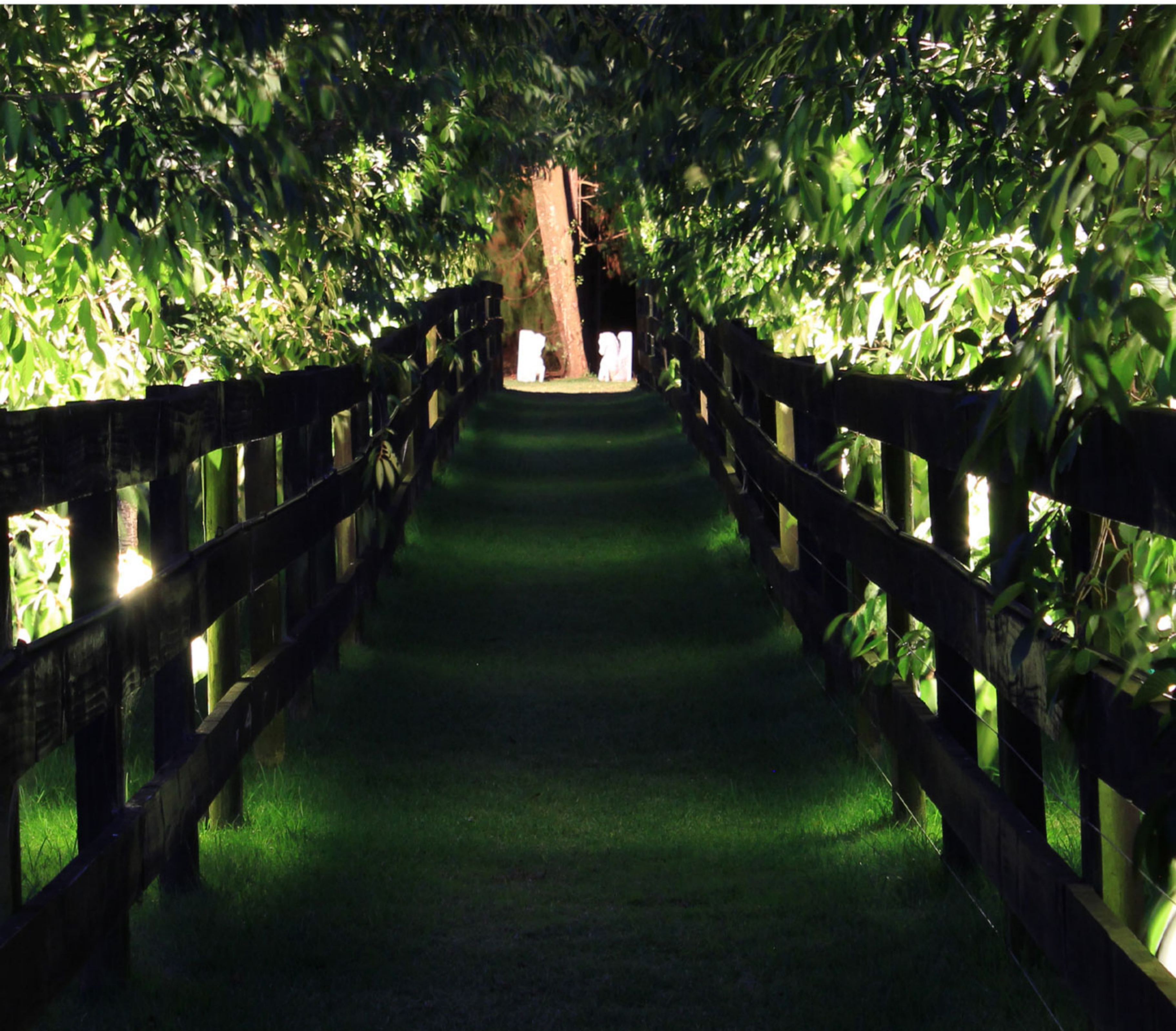
- Spun raw Copper
- Spun raw Aluminium  
Marine anodised to  
25 microns (um)
- IP Rating - IPX6

### LAMPS

- 12V LED MR16 3 - 10W

### OPTIONS

- Remote transformer 12 Volt



NOTE: AVAILABLE WITH OR WITHOUT LAMPS

Glare shields



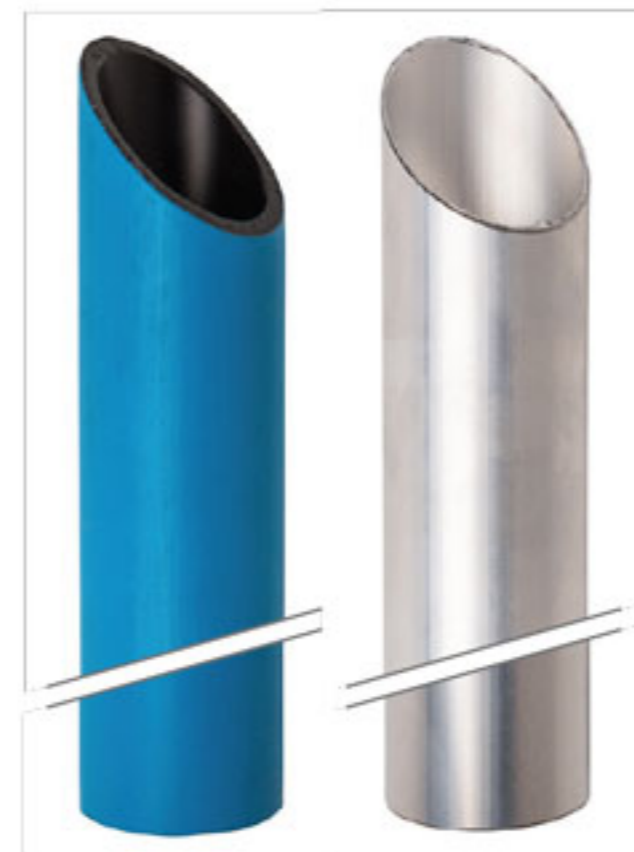
Light with/without Glare shields



Louver & Honeycomb filters



Bollard groundspikes



Garden light ground spike



Installation cans



Bollard surface mount bezel



MR16 LED Lamps



GU10 LED Lamps



12V G4 LED capsules





## Why Moonscape™ lighting?

Like painting on a black canvas, lighting a landscape is an art. Each beam of light can bring life and magic to your garden at night. Exterior lighting can enhance your landscape with a subtle beauty, illuminate focal points, add drama and extend your living space. As well as providing pleasure, creative lighting increases the value of your property.

Developing an exterior lighting scheme is a careful balancing act between creating the right atmosphere, managing safety issues and selecting cost effective fittings. That's why you need the experts. It is important to consult with a lighting designer or landscape architect when planning your outdoor lighting project.

---

For professional advice on any lighting project or assistance with the MOONSCAPE<sup>®</sup> range, contact us at [info@moonscape.nz](mailto:info@moonscape.nz)

They will help you with the complex aspects of exterior lighting including:

- Creating the atmosphere you want
- Best use and definition of space
- The safety of people and security of your home
- Spill light and minimise glare
- Placement of control equipment and switching
- Installation, operation and maintenance costs
- Installation, operation and maintenance costs
- Energy efficiency

**10 YEARS**  
WARRANTY



Moonscape is manufactured in New Zealand producing high quality lights made to the highest quality and standard. We also manufacture our products using the latest technology - CNC Machining, Injection Moulding, Hand Spinning & Hand Assembly.

